

Technical Specification

Product fiche

Trademark	Sharp
Model ID	24BH0K 24BE0K 24BE0KW
Energy efficiency class	A
Visible screen size (diagonal)	60 cm / 23.6 inches
On-mode power consumption	25.0 W
Annual energy consumption *1	37 kWh
Standby power consumption *2	<0.50 W
Off mode power consumption	n/a
Screen resolution	1366 (H) x 768 (V)
*1: Energy consumption XYZ kWh per year, based on the power consumption of the television operating 4 hours per day for 365 days. The actual energy consumption will depend on how the television is used.	
*2: When the TV is turned off with the remote control/standby button and no function is active.	

	24BH0K	24BE0K 24BE0KW
RF	75 ohm Antenna / Analog / DVB	
Inputs	2 x HDMI, 2 x USB, 1 x SCART, 1 x Mini Component/YPbPr, 1 x Mini AV IN - Composite Video/CVBS and L/R Audio shared for Composite Video and Component/YPbPr, 1 x RJ45 LAN/Ethernet	
Sound Outputs	1 x Digital Optical Audio output, 1 x 3.5mm Headphone	
Speaker / Amplifier Watts (RMS)	2 x 5 / 2 x 3	
Voltage and power consumption	AC 220V ~ 240V; 50Hz 25/40W (ecomode/max) (<0.5W in Standby)	AC 220V ~ 240V; 50Hz 25/50W (ecomode/max) (<0.5W in Standby)
Dimensions including stand (mm)	560W x 386H x 140D	
Net weight (Kgs)	4.4	4.3
Wall Mounting	VESA 100 x 100 (mm)	

SHARP

Quick Start Set Up Guide

For information on using the TV's features, please refer to the operating Instructions.

Model Numbers

24BH0K

24BE0K

24BE0KW

Register your manufacturers guarantee online within 14 days of purchase at www.registertoday.co.uk/sharp and enter into a prize draw to



Quick & easy guide for setting up your TV

What is included in the box

Using the remote control

Setting up the TV for the first time - including attaching the stand

Connecting other devices to the Television

Need help setting up or using your TV?

Please contact the UK & ROI Helpline*

Telephone UK 0330 024 0803 or ROI 01443 3323

Online support at: www.umc-uk.co.uk

Email support at: service@umc-uk.co.uk

*Calls to 0330 numbers are charged at standard call rates and are included as part of any bundled minutes with your phone provider.

Calls to the ROI number are charged at the local call rate.

The telephone opening hours are Monday to Friday 8.30am to 6pm, Saturday 9am – 5pm.

Bank Holidays - 10am to 4pm

Closed Christmas and New Years day



If you wish to use your Sky remote to operate the TV's basic functions, you will need a Sky remote control (Revision 9 or later) and you will need to program it with the code 2134. If you wish to use your Sky Q remote to operate the TV's basic functions, you will need to program it with the code 4170.

Sky Remote Code



1 STANDBY - Switch on the TV when in standby or vice versa.
FREVIEW PLAY - Access the Freview Play app.

2 NUMBER BUTTONS - 0-9 to select a TV channel directly.
MUTE - Mute the sound or vice versa.
TV GUIDE - Opens the 7 day TV guide (digital TV mode).

3 VOL (+/-) - To increase/decrease the sound level.
PICTURE - Scrolls through picture mode options.
SOUND - Scrolls through sound mode options.
SOURCE - To display the input/source menu.
CH (+/-) - To increase or decrease the channel being watched.
EXIT - To exit all menus.
MENU - To display OSD menu.
(*/*/*/*) - Allows you to navigate the on-screen menus and adjust the system settings to your preference.
BACK - To go back a previous step.
FAV - To display favourites menu.

4 INFO - Press once for now/next channel information.
- Press twice for information about the current programme.
TEXT - To enter/exit Text.
SUBTITLE - To switch the dialogue at the bottom of the screen (on/off).
TV - To switch to Digital Channels.
YOUTUBE - Access the Youtube App.
NETFLIX - Access the Netflix App.
APPS - Access the Apps menu.
RECORD - Access the USB record function.
REC LIST - Opens the list of previously recorded items.
- To restart the current chapter
- To advance forward to the next chapter
- To stop the playback/Eject Disc
- To EJECT the disc press/hold the button for 4 seconds
- To play in fast forward mode
- To play in fast reverse mode
- To play/pause
GOTO - To go to a specific chapter.
A-B - Press once to set point, press a second time to return to point.
ANGLE - Select different angle of DVD.
REPEAT - To repeat playback.

What is included in the box

1 x Quick Start Guide

1 x Remote Control & 2 x AAA Batteries

Included with this TV are the following accessories

1 x Stand installation pack
(Includes stand base, stand neck & screws)



Mini Composite/AV Cable
Required if you wish to connect a device with AV/Composite/CVBS output to the TV's Mini AV Input



Mini YPbPr Cable
Required if you wish to connect a device with YPbPr/Component output to the TV's Mini YPbPr Input



Should you wish to connect older/analogue devices to your television, you can purchase the necessary cables either from your retailer or at www.umc-uk.co.uk/cables

Freeview Play brings together live TV viewing with "catch up" channels, you will need a Digital TV aerial and be in a good Freeview coverage area.
To receive Freeview channels, in particular Freeview HD channels, you will need a Digital TV aerial and be in a good Freeview coverage area.
You can check coverage for your postcode at www.freeview.co.uk.
Please note that any Freeview HD channels found during tuning will be placed in channel positions above 100. For example, 101 (BBC1 HD), 102 (BBC2 HD) etc.
Freeview Play Explore app features a carousel of genres to select from when searching for programmes, such as sport, comedy, dramas and soaps, etc. Content is made up from recommendations of the major broadcasters and offers an alternative means of searching.
Note that to use the full functionality of Freeview Play your set must be connected to the internet.

Please save your box/packaging as you will need this in the event of warranty/service repair or support. We are unable to carry out warranty/service if you are unable to package it correctly. The safest way to package your item in the event of warranty/service repair is in its original box/packaging.

Online Manual

To launch the Online Manual, press the [MENU] button and then select Settings>About TV>Help Information>View Online Manual

Using the remote control

Setting up the TV set for the first time

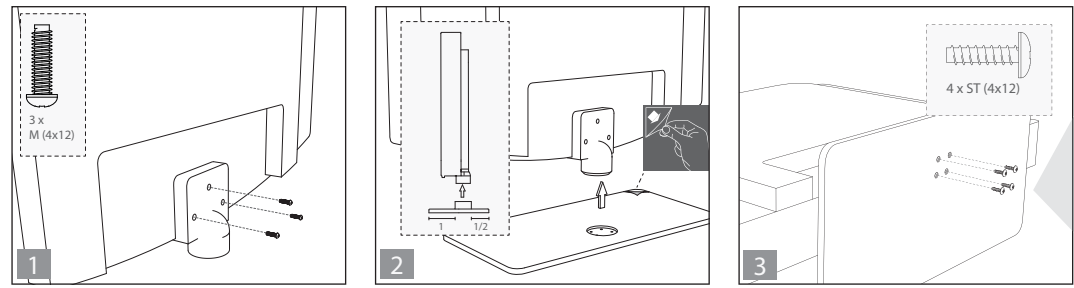
To obtain a copy of your Operating Instructions, please go to: www.umc-uk.co.uk/instruction-manuals/sharp

1 Fitting the stand

For stand installation, there are two types of screws provided as shown below. To complete the stand installation you will require a cross head screw driver.

Place the TV set on a flat and clean surface with the panel facing downwards to avoid damage.

- 3 x M (4x12)**
Used for attaching the stand neck to the TV (fig.1)
- 4 x ST (4x12)**
Used for attaching the stand base to the stand neck (fig.3)



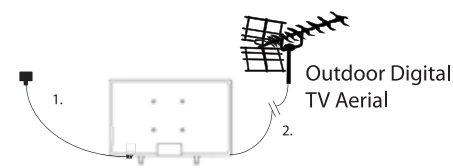
- (fig.1)** Attach the stand neck to the rear of the TV set using the 3 x M(4x12) screw. **(fig.2)** Peel off the protective plastic cover then attach the stand base to the stand neck. **(fig.3)** Secure the base to the neck by using the 4 x ST(4x12) screws provided.

HELPFUL ADVICE FOR FIRST TIME STAND INSTALLATION

When securing the self-tapping screw/s into the base of the stand (on first installation) the screw/s will be naturally tight as they create a thread in the plastic of the stand neck in order to support a TV of this size.

- Ensure the cross head screw driver tip fits correctly into the head of the screw and that it is not too big or small.
- Screw in all screws individually and partially before tightening all of the screws fully.
- If they become very tight try loosening them slightly and then re-tightening them once again as this will continue the process of creating the thread for the screws.

2 Connecting your set



- Connect the TV to your power socket.
- If you wish to use the TV to receive Freeview/Saorview channels, connect the RF input from the TV to your outdoor Digital TV aerial. If you do not wish to receive Freeview/Saorview, skip this step.

3 Installing Batteries



Insert the batteries supplied into the remote control and press the standby button to power on the TV.

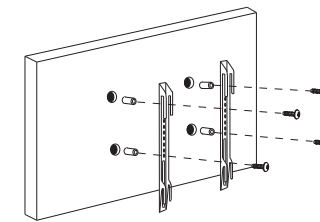
Button layout

- Stop/Eject DVD*
- Play/Pause DVD*
- Volume up and menu right
- Volume down and menu left
- Programme/Channel up and menu up
- Programme/Channel down and menu down
- Displays Menu/OSD
- Displays the input source menu
- Standby Power On/Off



*For models with built in DVD player

Wall Mounting the TV



- Remove the four screws that are supplied in the wall mounting holes.
- The wall mount can now be easily attached to the mounting holes on the rear of the TV.
- Install the wall mounting bracket to the television as advised by the bracket manufacturer.

For the dimensions of the VESA mounting, please refer to the Technical Specifications section of this document.

The picture shows the use of spacers, which are not applicable to all sets/installations.

4 First time installation

Basic installation steps are shown below. These may vary slightly depending on model.



1 Introduction

When the set first turns on, it enters the First Time Installation mode. This can be restarted by restoring the set to default settings in the 'About TV' Menu.



4 Environment of Use

Note: In home mode, the TV will switch off automatically after 4 hours in the event that no buttons are pressed on the TV or remote control. (You can change this by pressing the [MENU] button and then selecting Settings>Time>Auto Standby)



2 Languages

Select your preferred on-screen display language. This will change the language in which the menus and associated information is displayed in. When set up has been completed, to change this press the [MENU] button and then select Settings > System Menu > Language



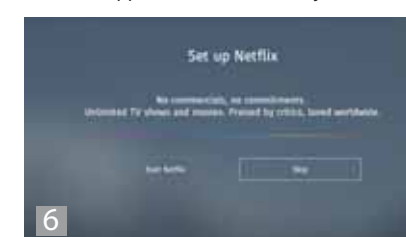
5 Network setup

You can connect the TV to your broadband router or wireless network in order to take advantage of the Smart functions. If you connect the TV to your router using an Ethernet cable (recommended) this step will be skipped.



3 Country Selection

Select the correct flag for the country in which the set will be used in. This will enable the set to correctly install the functions applicable in the country of use.



6 Set up Netflix

If you have a Netflix account, it can be set up on the television here. Once set up and validated, the First Time Installation returns to the next step.



7 Default Source

Select the source which you use the most. If Digital TV (Freeview) is chosen, then at the next step, the set will tune in and default to Digital TV (Freeview). If one of the other sources is selected, then the set will not tune in at this stage and default to that input. If it is required to tune the set in later, press the [MENU] button and then select Settings>Channels



8 Tune in Channels

Choose to install terrestrial channels now or later.

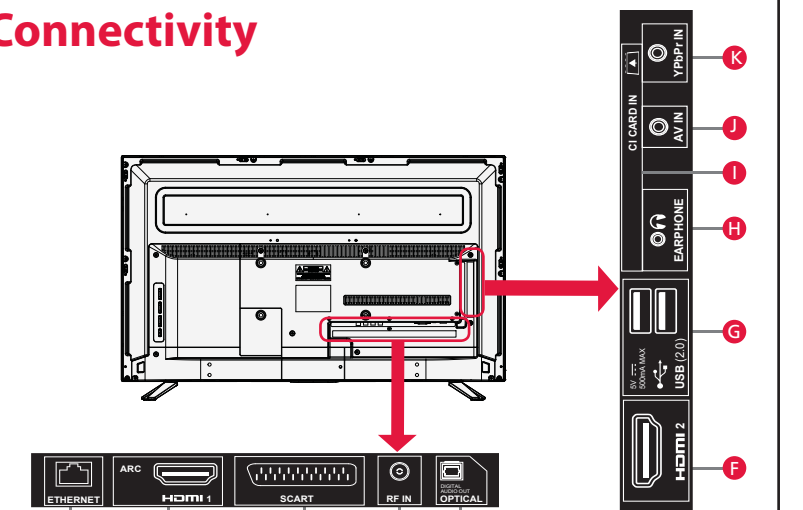


9 Support Advice

Information regarding support is displayed for a little while. Tuning continues and a progress bar is shown with the number of channels found indicated below.

If you are picking up signals from more than one transmitter, you will be requested to select your primary and secondary regions.

Connectivity



A	ETHERNET*	Network connection	F	HDMI 2	HDMI Input
B	HDMI 1 (ARC)	HDMI input	G	2 x USB	USB Port
C	SCART	SCART Input	H	Earphone	Earphone Input
D	RF in	RF / TV aerial input	I	CI CARD IN	Common Interface module
E	Optical Digital Audio	Digital Audio Output	J	AV IN	Audio/Visual Input
			K	YPbPr	HD input (Ypbpr)

* The Ethernet/LAN port is used for Freeview HD services and smart functions.

Win a

SHARP Soundbar

Register your manufacturers guarantee online within 14 days of purchase at www.registertoday.co.uk/sharp and enter into a prize draw to win a Sharp Soundbar

Terms and conditions apply. Online registration only.